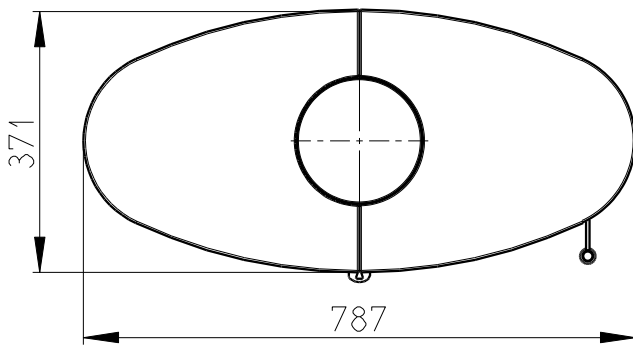
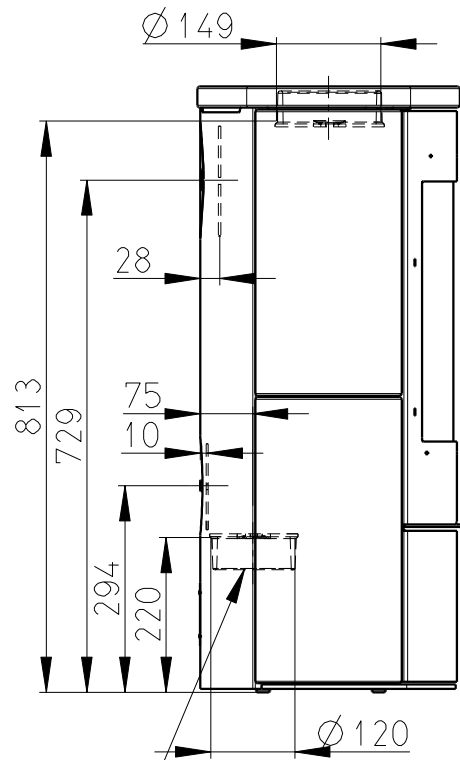
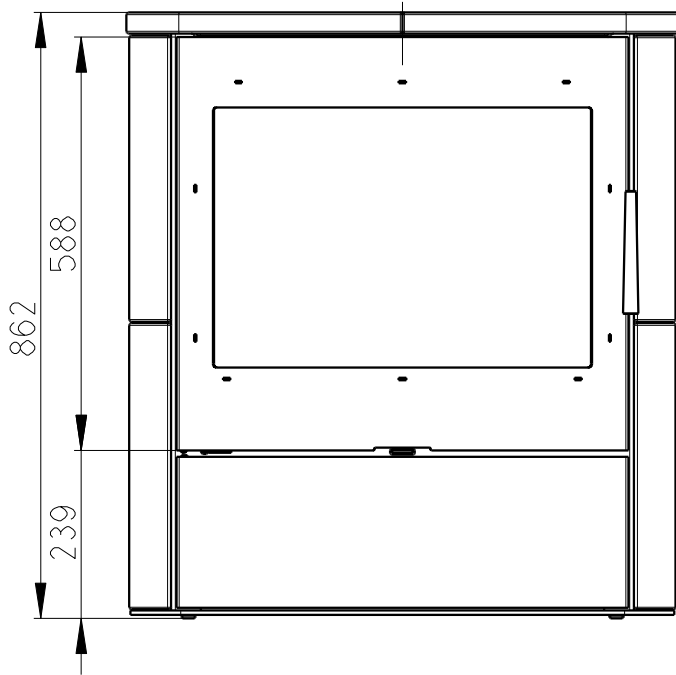
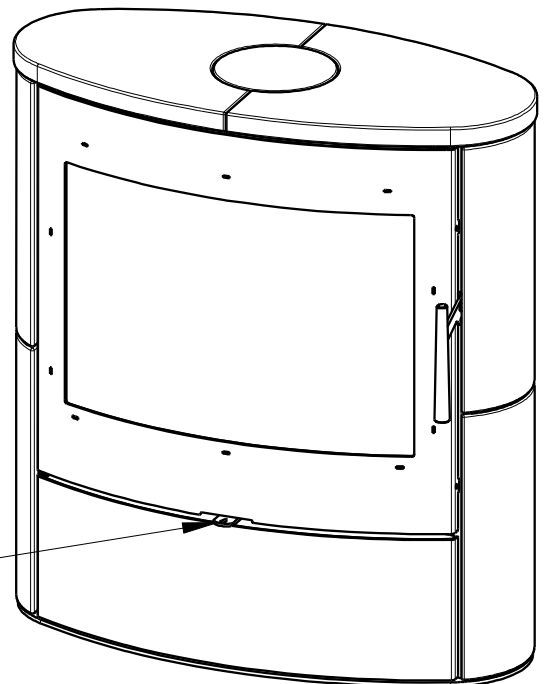


NAVIA



Centralni privod vzduchu Ø120
 Zentral luftzufuhr Ø120
 Central air inlet Ø120

Primarni a sekundarni vzduch
 Primarluft und sekundarluft
 Primary and Secondary air



Artikl	NAVIA
--------	-------

General data

Nominal heat output	kW	6,0
Efficiency	%	83,5
Mass of the test fuel fired hourly	kg/h	1,64
Dry flue gases mass flow	g/s	5,2
Mean flue gas temperature	°C	243
Flue draught	Pa	12
Weight	kg	164
CO ₂	%	9,54
Dust O ₂ =13%	mg/m ³	40
CO O ₂ =13%	mg/m ³	920

Recommended values

Reg.output	kW	3-8
Max. mass of the test fuel fired hourly	kg/h	2,1
Flue gas connector diameter	mm	150

Meets requirement limit values for

EN 13 240	•
BImSch V 1	•
BImSch V 2	•
DIN plus	-
15a B-VG	•

Supplied accessories

Holder with magnet	•
Ashtray	•